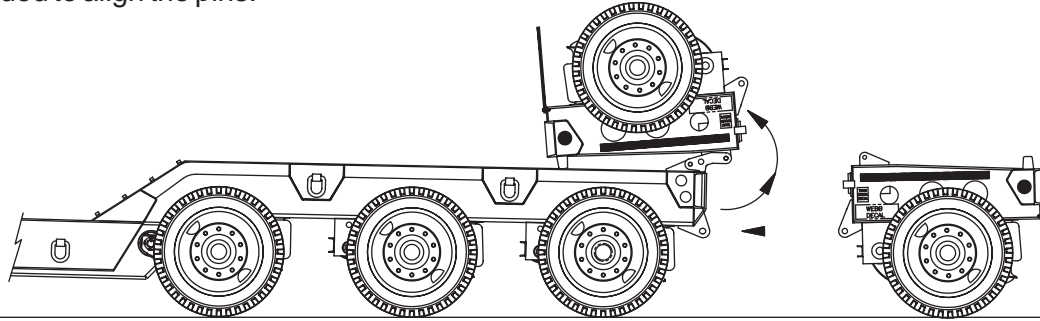


Operation of Titanium Flip Axle

ATTACHING FLIP AXLE

The Flip Axle and trailer must be on level ground. Back the trailer into the Flip Axle. Adjust the parking jacks as needed to align the pins.



Align the bottom attachment holes and insert and secure the bottom pins. Allow the top of the Flip Axle to float.



Use the shims to adjust the Flip Axle so that it rides level depending upon the trailer ride height and load carried. Start with the 1/4" shim and adjust as needed.

When you want to store the Flip Axle on the rear of the trailer, insert and secure the top pins and remove the bottom pins. Use a loader or hoist to lift the Flip Axle and place on the trailer. Use the D-rings provided.

